

# Baby Changing Products

The Nappy Changer

The Baby Sitter

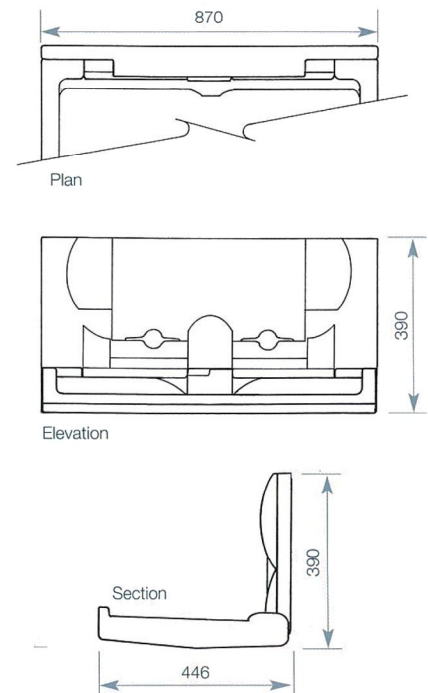
Accessories



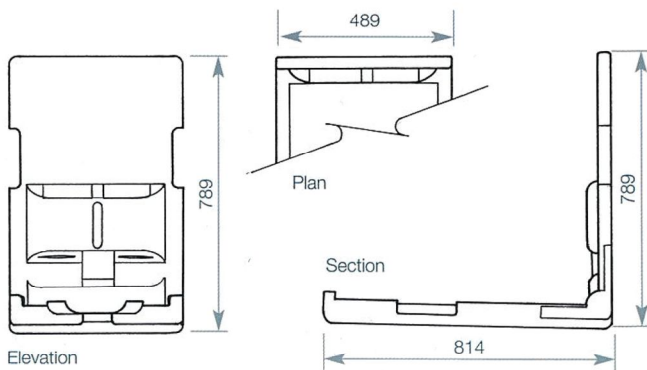
# The Nappy Changer



ORDER: LSNAPCHH



- High density polyethylene which inhibits bacterial growth
- Complies with BS EN 12221
- Supports a static load of 113kg
- Safety belt with cam buckle which is adjustable with one hand
- Pneumatic gas piston ensures smooth and safe opening and closing
- Integral liner dispenser



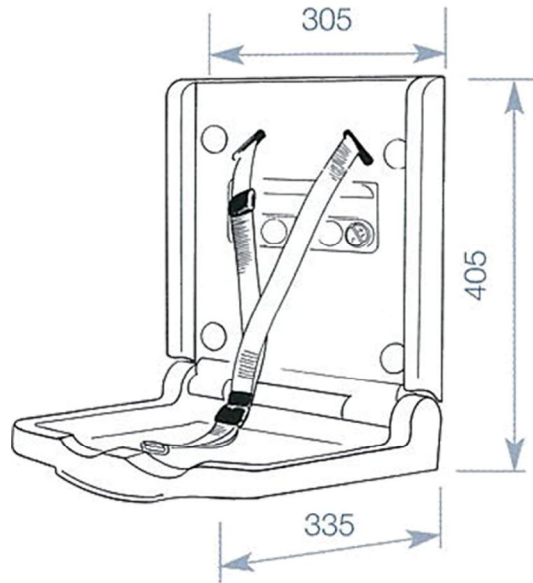
ORDER: LSNAPCHV



# The Baby Sitter



ORDER: LSABABSIT



- High density polyethylene
- Supports a static load of 36.3kg
- Safety belt
- Keeps toddler off the floor

## Accessories



LSA NappyChanger Liners  
ORDER: LSANAPLIN



LSA NappyBin  
ORDER: LSANAPBIN



LSA NappyBin Bags  
ORDER: LSABINBAG



For more information or to order,  
visit our website at  
**[www.LSAnappychanger.co.uk](http://www.LSAnappychanger.co.uk)**

LSA Projects Ltd | The Barn | White Horse Lane | Witham | Essex | CM8 2BU  
Tel: 01376 50 11 99 | Email: [sales@LSAnappychanger.co.uk](mailto:sales@LSAnappychanger.co.uk)

